

WULFTEC® STRETCH WRAPPERS

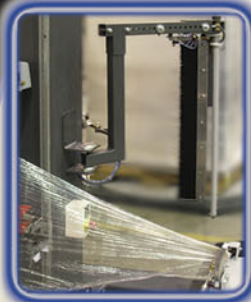
SMHPA-200 PORTABLE AUTOMATIC TURNTABLE

INTRODUCING THE NEW SMHPA-200

ALL THE BENEFITS OF AUTOMATION...
...AT AN AFFORDABLE PRICE

SMHPA-200

This portable automatic model is exceptionally tough and offers accurate wrapping. All this for an extremely affordable price



Proven Cut & Wipe System

**Get the film tail
wiped to the load!**
*No relying on film snapping
back to the load*



✓ **AFFORDABLE**

✓ **PORTABLE - COMPETITIVE EDGE**

✓ **PERFECT FOR FORKLIFT LOADING**

✓ **HIGH PROFILE - REDUCED MAINTENANCE**

THE WULFTEC PROMISE

Having a Wulftec® stretch wrapping machine on the production line is a powerful statement. It's an investment in strong values, because Wulftec is dedicated to manufacturing only the best. It's an investment in all-steel construction, for increased stability and strength. It's an investment in success, because Wulftec® equipment is designed and built to wrap load after load...year after year.



WE FEAR NO PACKAGING CHALLENGE

WWW.WULFTEC.COM

WE FEAR NO PACKAGING CHALLENGE

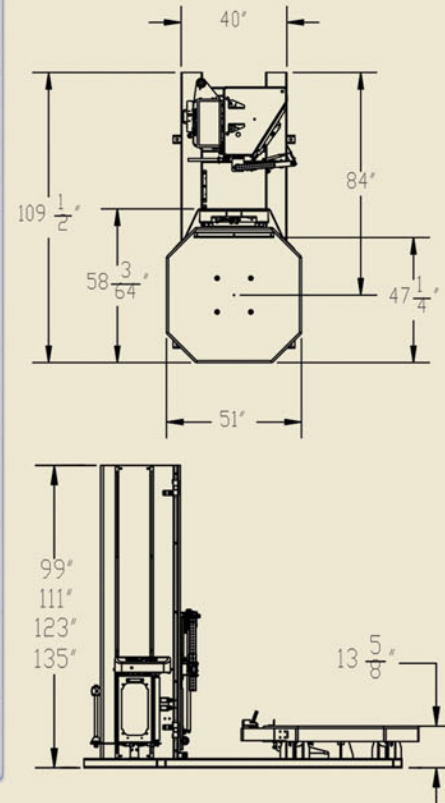
WWW.WULFTEC.COM

M.J. MAILLIS

TECHNICAL SPECIFICATIONS

WULFTEC.com

PRODUCTION RATE*	Up to 55 loads per hour
MAX LOAD WEIGHT	5,000 lbs
MIN LOAD SIZE	36"W x 36"L x 10"H
MAX LOAD SIZE	51"W x 51"L x 80"H
MACHINE DIMENSIONS**	51"W x 109½"L x 99"H
APPROX. SHIPPING WEIGHT	1,400 lbs
ELECTRICAL REQUIREMENTS***	120V/1/60 15A
PNEUMATIC REQUIREMENTS	3 CFM @ 80 PSI comes with FR (Filter, Regulator)
CONTROLS	<ul style="list-style-type: none"> - Top cover pause switch - Remote Start/Stop pull cord - Separate top and bottom wrap selection (0-9) - Separate up and down carriage speeds - See Control Panel Insert for more info
FILM DELIVERY SYSTEM	<ul style="list-style-type: none"> - 20" NO-THREAD® powered pre-stretch carriage with revolutionary spring loaded carriage gate - 1 HP AC motor with variable frequency drive
FILM TAIL TREATMENT	<ul style="list-style-type: none"> - Automatic film clamping - Pulsed-controlled cutter - Film alignment arm and brush on film treatment
TURNTABLE DRIVE	<ul style="list-style-type: none"> - Up to 16 RPM variable speed - 1 HP AC motor with variable frequency drive - #50 ANSI heavy-duty chain drive
STRUCTURE	<ul style="list-style-type: none"> - Forklift portable base design (from both ends) - Heavy-duty structural steel construction - Ergonomically friendly film loading carriage position
WARRANTY	<ul style="list-style-type: none"> - 4-year unlimited cycle warranty - 10-year warranty on steel structure - Lifetime warranty on pre-stretch rollers' blue compound



FEATURING



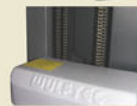
20" NO-THREAD® powered pre-stretch carriage for quick, easy, ergonomic and safe film loading / 50% to 300% pre-stretch for optimal film use and reduced costs / with our revolutionary spring loaded carriage gate, our carriages are "maintenance free"



Cut & Wipe film treatment system eliminates the need to attach and cut film, minimizing operator involvement and guaranteeing a tight wrap with no film tail for worry-free transport



AC variable frequency drives and motors for safe, reliable performance and minimal maintenance



Enclosed dual chain carriage lifts for increased safety / the dual chain system improves machine security and ensures stable lifting thus eliminating vibrations



All steel structure, no plastic... All Wulftec structures are built with heavy-duty steel for rugged performance, in even the harshest work environments. **They're built strong to last!**



Reduced energy usage by throughput anticipation: Machine will operate at a lower speed when the throughput from the line is slower and speed up to allow production bursts. For an average production line[†], the energy savings would equal 20 x 40 watt lamps lit for 6 hours!

Reduced film waste by optimized resolution: We now use a higher resolution positioning system to deliver the film in a more accurate quantity. This means an average film reduction of 4 feet of film per pallet when compared to other control systems! That's 60 miles[†] of unstretched film per year!

Reduced general waste by better product protection for handling and transport: With very low wrap capability, the product is properly secured to the pallet, resulting in a pallet that is more stable for transport and therefore less damage!

Reduced electricity consumption: By using variable frequency drives on all its motors, Wulftec ensures that only the power required by the load is used, regardless of the HP of the motor. By this, we have standardized our motor sizes, allowing for less parts in inventory for us and our customers. This translates into greener operations at our end and at your end.



*PRODUCTION RATE BASED ON LOAD SIZE AND MACHINE CONFIGURATION
 **MACHINE HEIGHT CAN EXCEED BY UP TO 8" WHEN CARRIAGE IS IN UPMOST POSITION
 ***OTHER VOLTAGE AVAILABLE UPON REQUEST
[†]BASED ON A PRODUCTION RATE OF 60 PALLET PER HOUR, 2 SHIFTS, WHERE 50% OF THE PRODUCTION IS IN "PEAK-MODE", 250% PRE-STRETCH
 ALL MACHINE SPECIFICATIONS ARE SUBJECT TO CHANGE WITHOUT PRIOR NOTICE
 NOMINAL DIMENSIONS SHOWN